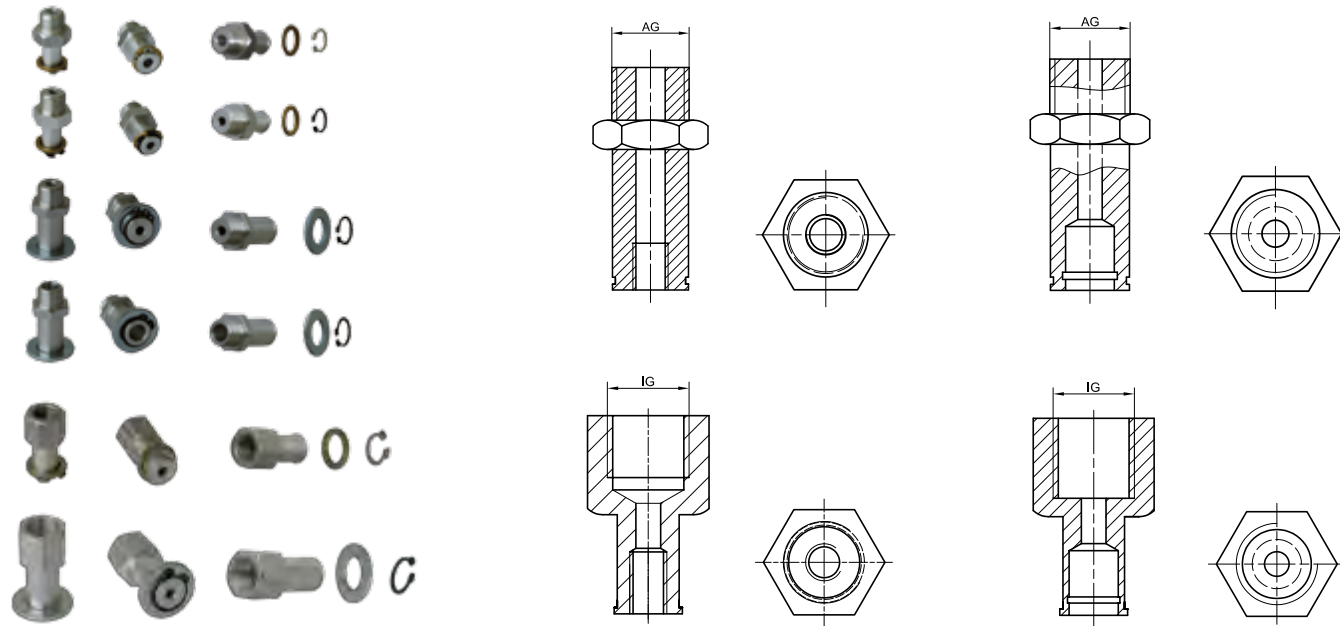
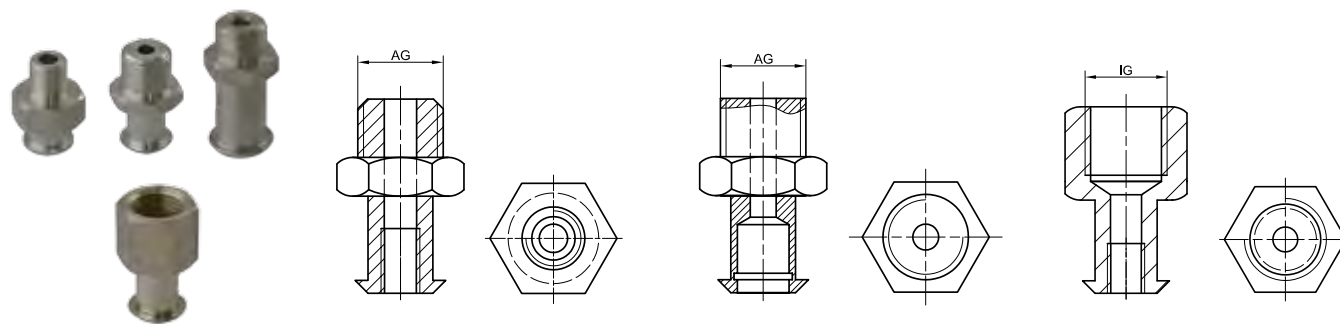


Schema

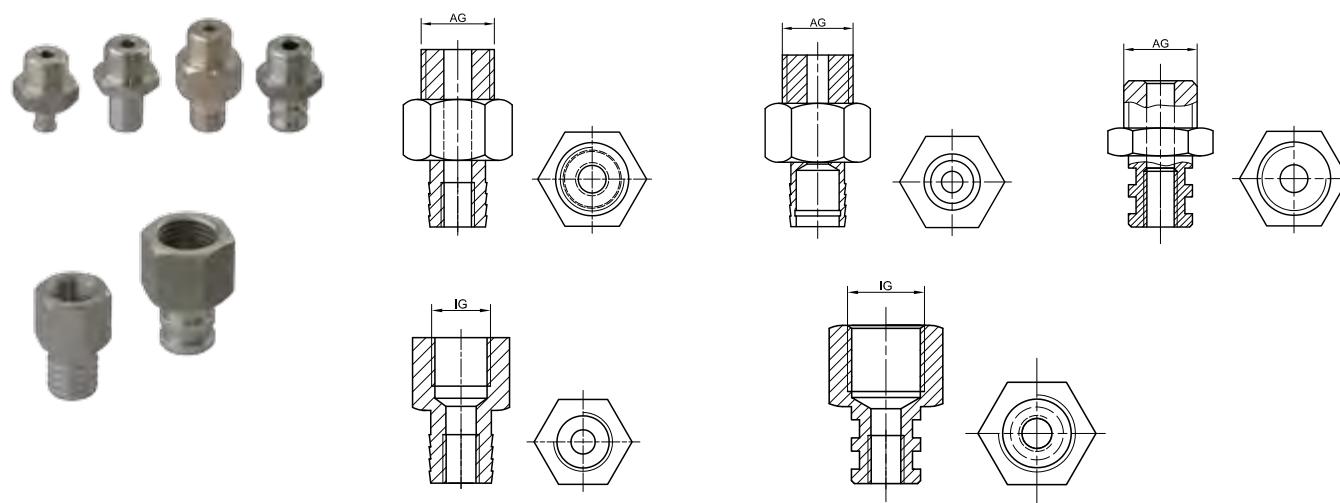
Either for or with patent holding system – in groups E4 and E5



Mushroom shaped head – in groups E0, E1, E4, E6 and CO

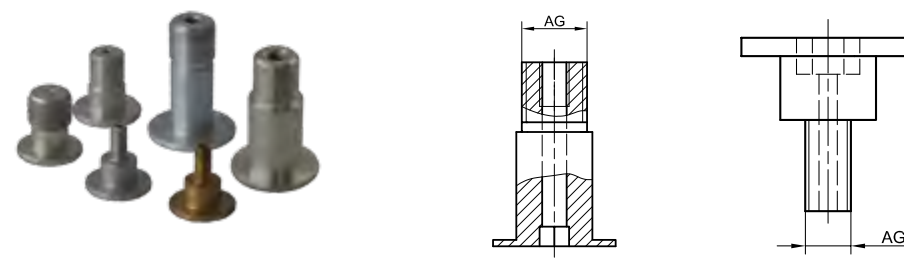


Model with grooves – in groups E2, E3 and E7



Schema

Model for inserting – in groups W060, W070 and W090



Connection nipples

Selection guide



EUROTECH Vertriebs GmbH
 VACUUM TECHNOLOGIES
 Dammstr. 1 Telephone: +49 7433 90468-0
 72351 Geislingen Fax: +49 7433 90468-13
 GERMANY E-Mail: info@euro-tech-vacuum.de

